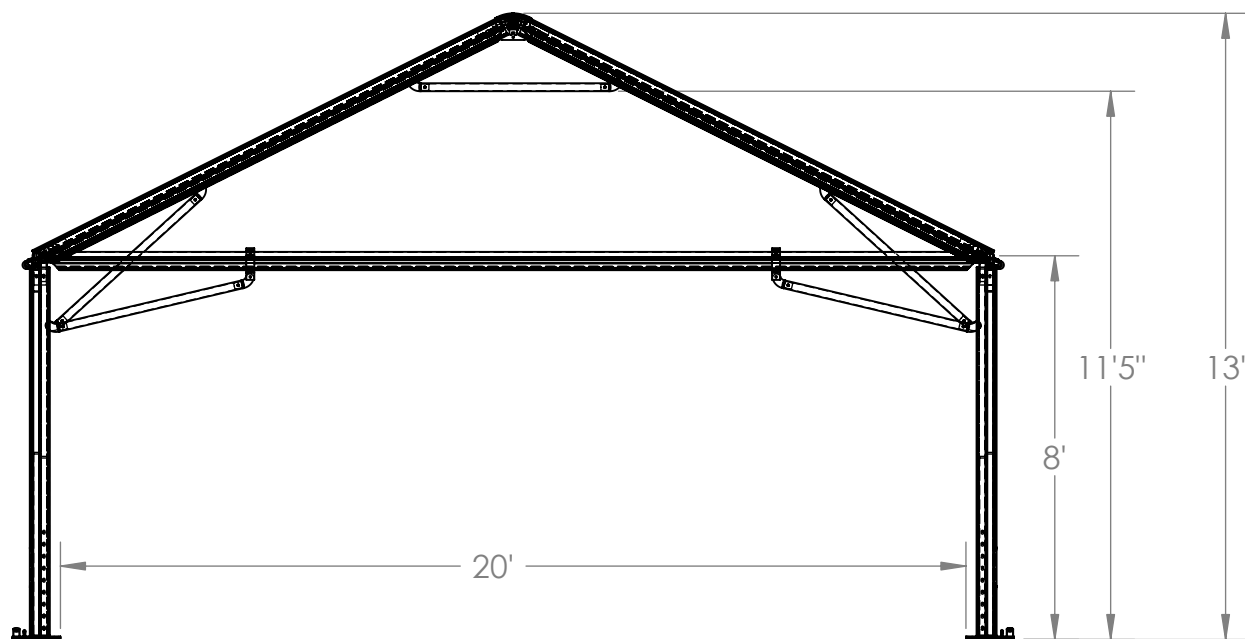


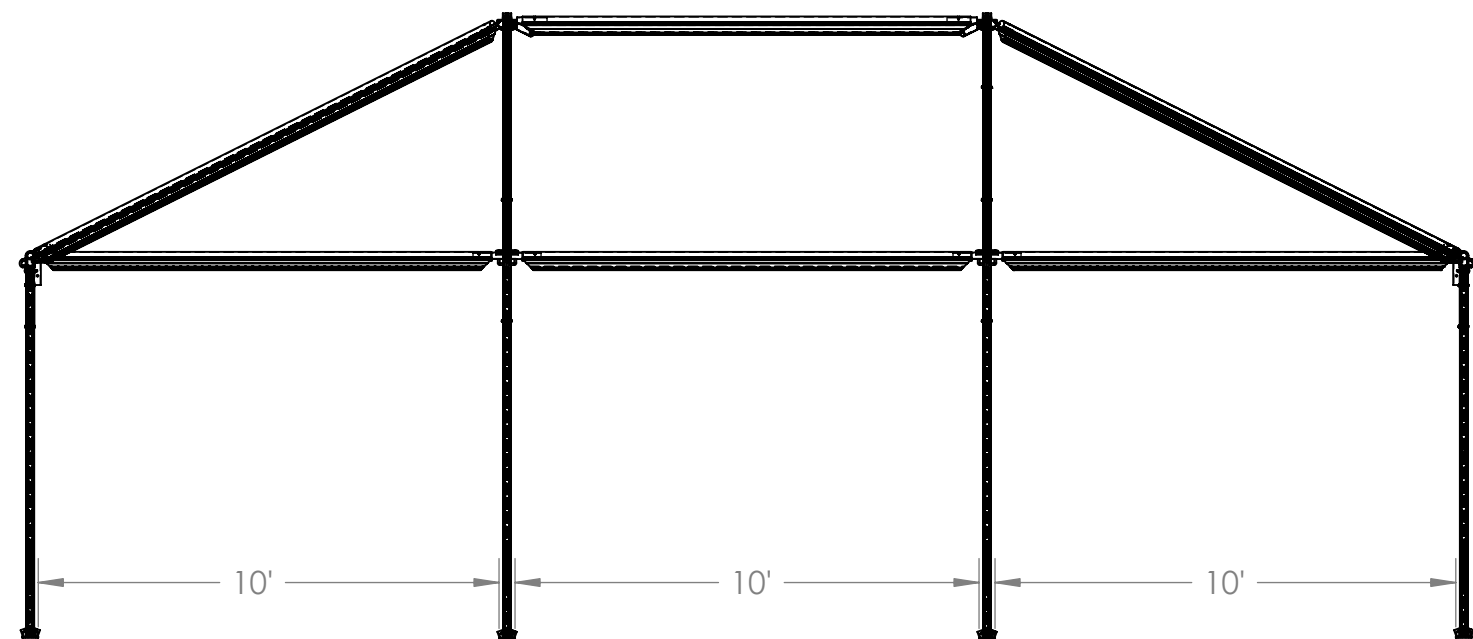
Trimetric



Date: May 30, 2013  
Toptec Future Trac 20 by 30 Hip End  
20x20 Ends with One 10' Center  
Drawn by: Nathan O'Daniel  
Drawing #: TU2030-30052013



End View



Side View