

MARQUEE



The Marquee frame tent creates an elegant entryway for weddings and corporate events

> Make Connections

Need to connect to another style tent? Marquee's expandable frame makes it easy to connect to any style tent for covered walkways.

> Angled Extensions

Have an event that needs a little angle or curve? Marquee tents are available with 45° and 90° angled extensions to curve around your jobsite conditions. (see back for illustrations).

> Stair Step Package

Give your customer's multi-level event the attention it needs when changing elevations with TopTec's Marquee Frame Tent Stair Step Package. (see back page for illustrations).

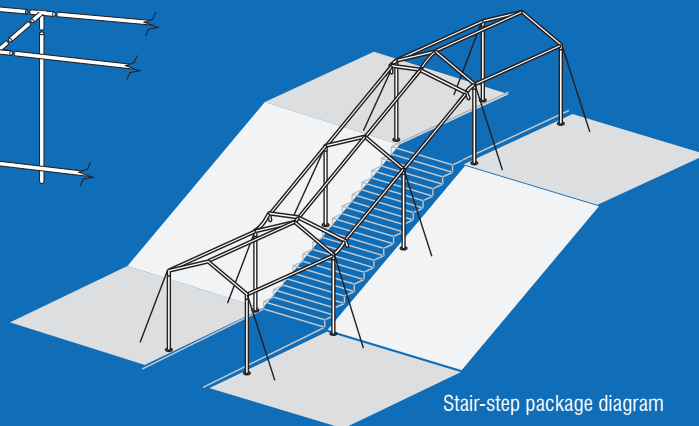
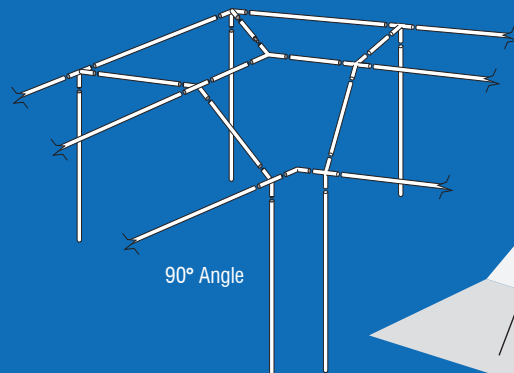
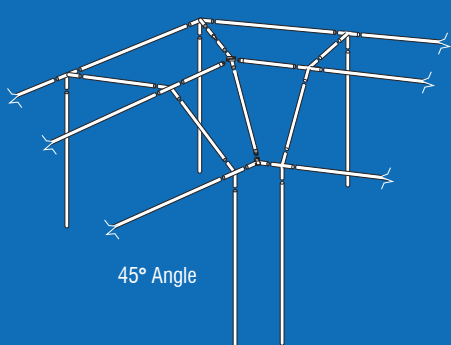
Good Things Happen in TopTec Tents™

800-845-2830 | www.toptecproducts.com | sales@toptecproducts.com

FEATURES	ADVANTAGES
Extensions in 10ft increments (custom lengths available)	<ul style="list-style-type: none"> • Flexible design for even the most challenging job sites • Expandable frame • Easily connects to any style tent
45° and 90° Angled Extensions	<ul style="list-style-type: none"> • Easily moves around corners • Perfect for angled walkways or connecting pathways
Stair Step Assembly	<ul style="list-style-type: none"> • Easily cover multi-level events • Create dramatic walkways and entry points • 6 adjustable elbows
Stainless hardware	<ul style="list-style-type: none"> • No rusting like steel hardware • No breaks like plastic hardware
Custom fitted Velcro split corners	<ul style="list-style-type: none"> • Clean, professional look

MARQUEE | Grand Entryway Functionality:

Ideal for weddings and corporate events
 6' x 10', 9' x 10', 10' x 10', 45° angle assembly, 90° angle assembly.
 Custom lengths available for the perfect fit.



Your Partner For Success

Choosing a tent system is one of the most important investments you can make for your business. It has to be reliable. It has to be durable. It has to look good.

Choosing your tent partner is just as important and TopTec's customer service is second to none. We're more than just your average tent guys. Your success is our driving motivation and that means you'll always have the support, service and resources you need to turn your customers into fans, every time.

Designed for Your Business



TopTec tents are designed for reliability. Our consistent manufacturing processes ensure your Marquee tent will continue to function in the field over years of use, saving you from costly delays and repairs.

Good Things Happen in TopTec Tents™

800-845-2830 | www.toptecproducts.com | sales@toptecproducts.com