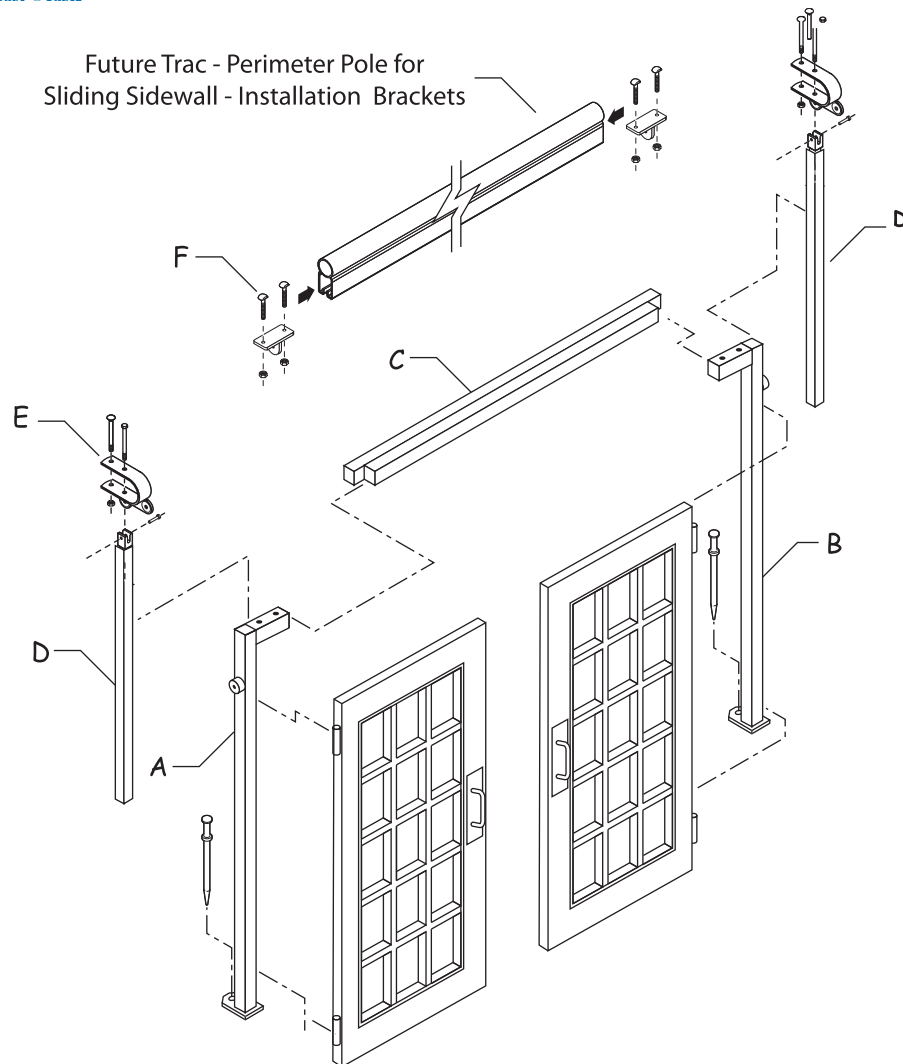




# Tent Doors



## Assembly Instructions

1. Insert header assembly (C) into left upright assembly (A) and attach with the bolts provided. Bolts must be removed from the header tube
2. Next, insert right upright assembly (B) into the header tube (C) and attach as in the previous step, then secure with the bolts provided.
3. Insert extension tubes (D) vertically into the upright assemblies. Attach the mounting bracket (E) to the eave tube and secure with the bolt provided.
4. Install frame at desired location being careful to maintain equal distance top and bottom for proper alignment. Pin extension tubes to the mounting bracket and lock into place.
5. Install doors on pin mounts and attach closer arms to header frame.

Note: For tents with no eave tube, the extension tubes (D) can be installed horizontally into the header assembly.

Proper operation of the doors may require shimming under the base plates to obtain true vertical alignment.

## Frame Parts

- A Left Upright Assembly
- B Right Upright Assembly
- C Header Assembly
- D Extension Tube
- E Mounting Bracket
- F Mounting Bracket for Sliding Wall Tube  
Door Closures - Mounted (Not Shown)

## Double Door Sidewall Opening - 72" (W) x 80" (H)