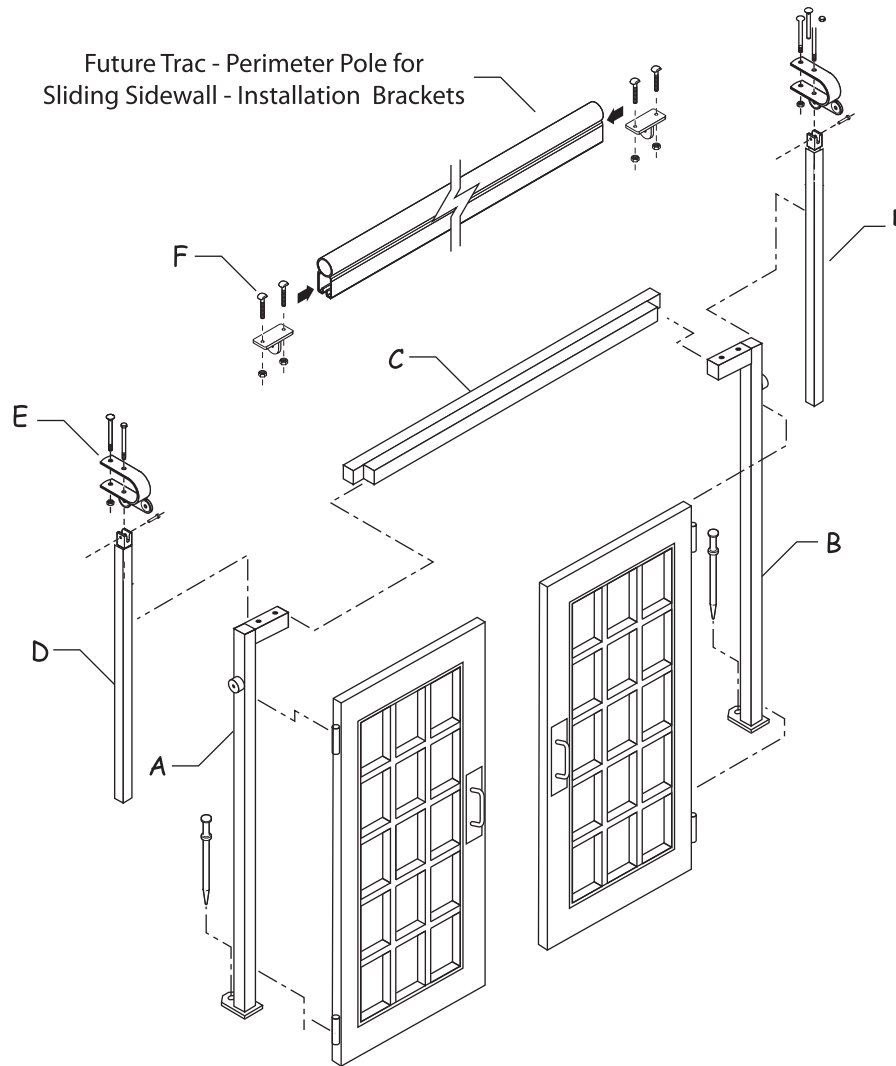




Tent Doors



SPECIFICATIONS

Double Door Opening - 72"w x 80"h

PlastPro Door Slabs:

- Tested to ASTM D1761, F1450 Sec. 7.3, D-1666, E283, E331, E547, E330, E1886/E1996.
- Tested to TAS 201, 202, 203.
- Tested to NFRC, STC Rating, and Fire Rated to NFPA 252, UL10C - 20min. Fire Rated Door - Hersey Certified
- Nominal Size - 3'0" x 6'8"
- Actual Size - 35 3/4" x 79 1/4"
- Smooth Skin Collection - pre-pigmented white skin that resists appearance of scratches.
- Environmentally Sound Polyurethane Foam Core
- Full length composite stiles that provide waterproofing for the door's insulation.
- High strength bottom rail prevents moisture from seeping into the door.

Steel Framework:

- Carbon steel tubing welded in-house by certified welders
- Fully powder coated finish
- Stainless steel and zinc plated hardware