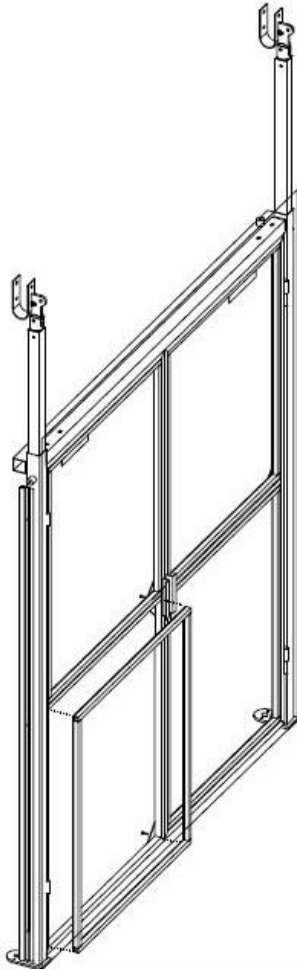




Installation Instructions

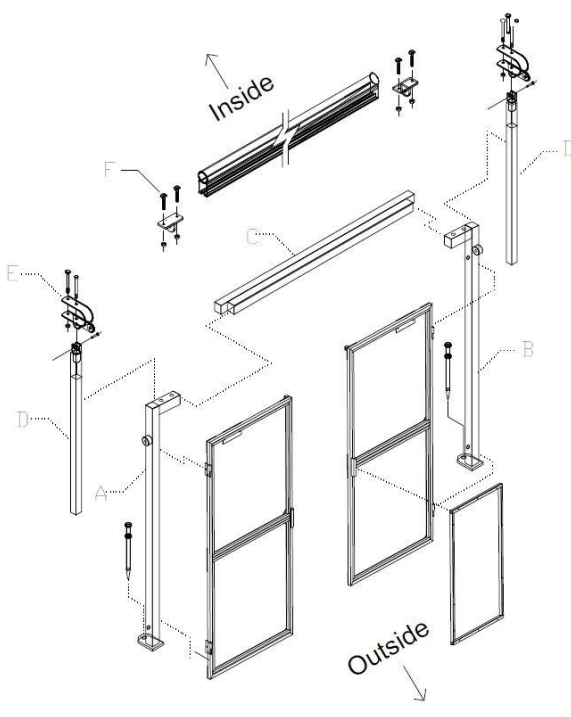


FlexDoors TTDF

TopTec Products, LLC
7601 Highway 221
Moore, SC 29369
Phone: (800) 845-2830
Fax: (800) 921-7750
e-mail: sales@TopTecProducts.com
www.TopTecProducts.com

© 2019 TopTec
Form #20190718

Installation Instructions



Frame Parts:

- A. Left Upright Assembly
- B. Right Upright Assembly
- C. Header Assembly
- D. Extension Tube
- E. Mounting Bracket
- F. Mounting Bracket for Sliding Wall Tube
- G. Door Closures – Mounted (not shown)

Installing Frame and Doors:

1. Insert header assembly (C) into left upright assembly (A) and attach with the bolts provided. Bolts must be removed from the header tube. **Closer arms oriented on top and inside of header*
2. Next, insert right upright assembly (B) into the header tube (C) and attach as in the previous step. Secure with the bolts provided.
3. Insert extension tubes (D) vertically into the upright assemblies. Attach the mounting bracket (E) into the eve tube and secure with the bolt provided.
4. Install frame at desired location. Be careful to maintain equal distance top and bottom for proper alignment. Pin extension tubes to the mounting bracket and lock into place.
5. Install doors on pin mounts and attach closer arms to header frame.

Note: for tents with no eve tube, the extension tubes (D) can be installed horizontally into the header assembly.

Proper operation of the doors may require shimming under the base plates to obtain true vertical alignment.

*****Double Door Sidewall Opening - 72" (W) x 80" (H)***

Installing with Keder Strips (optional)

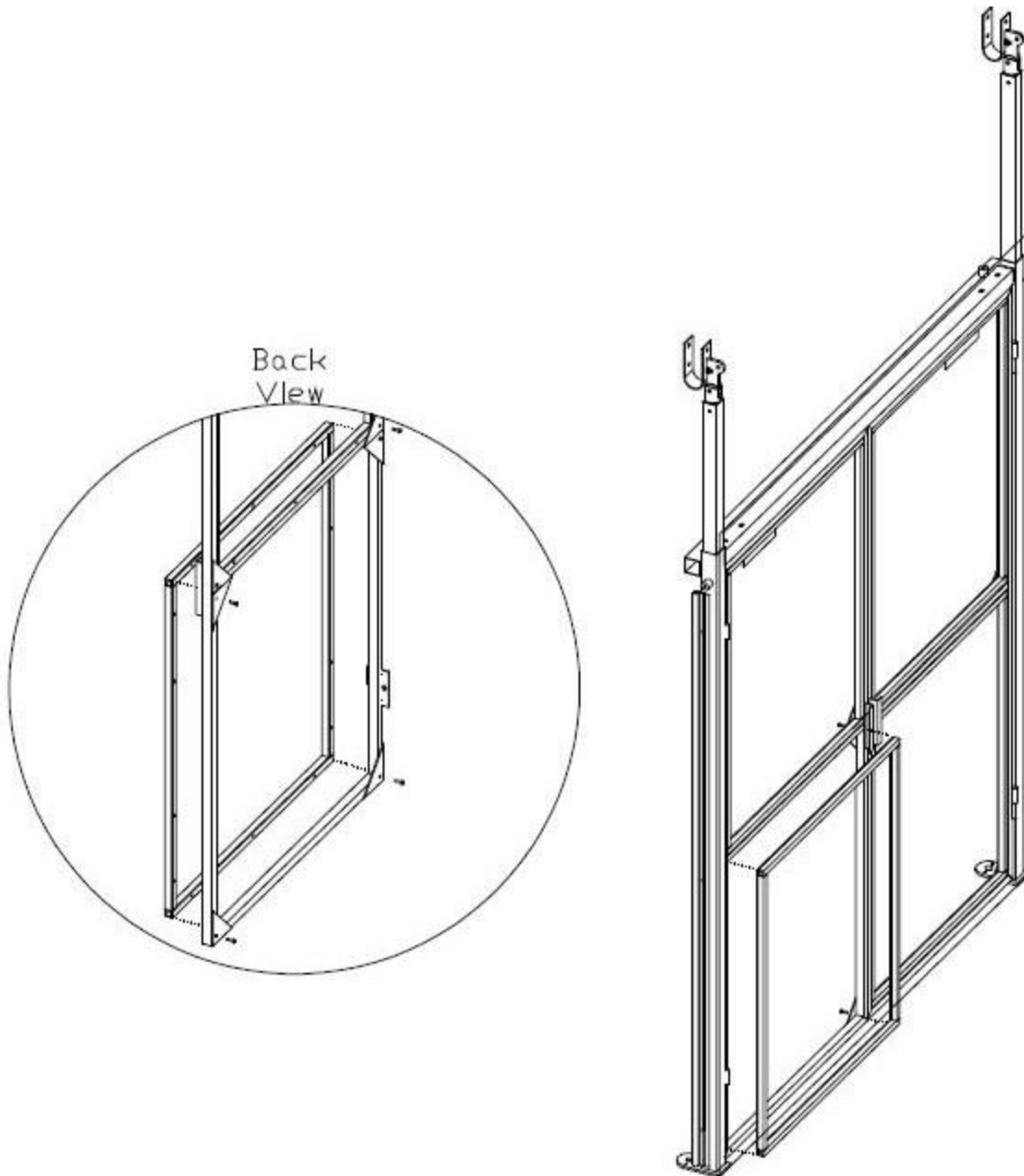
If using optional keder strips, attach them to the sidewall prior to Step 1 (above)



Installation Instructions

Installing Panels:

- A. Remove 4 screws at corners of each panel
- B. Push the panel frame out of the main door frame
- C. Insert new panel into door frame
- D. Use the screws from step 1 and secure new panel to main door frame
- E. Repeat for any other panels that need to be replaced



***This can be done after installation of doors is complete or before they are hung.*